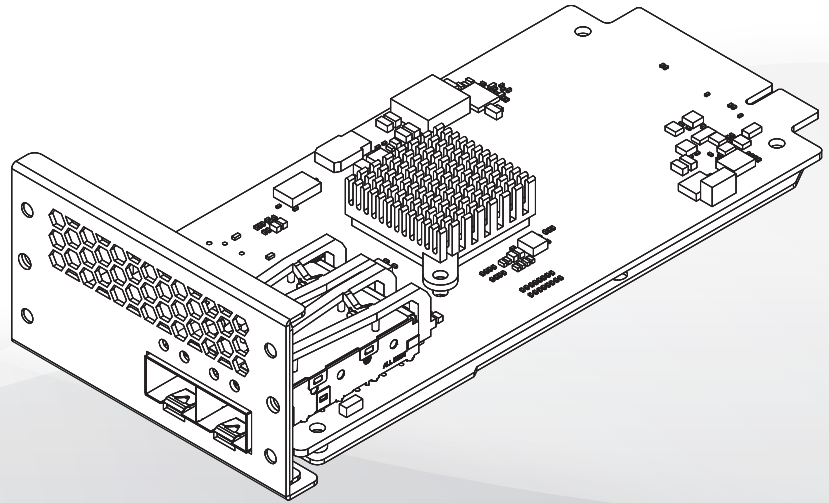




# PuIM Series

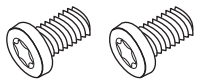
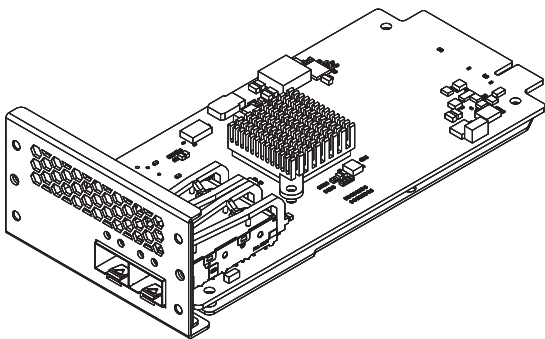
**PuIM-10G2SF-X710**



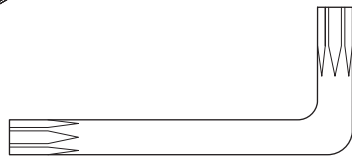
www.ieiworld.com

## Package Contents

**PuIM-10G2SF-X710**

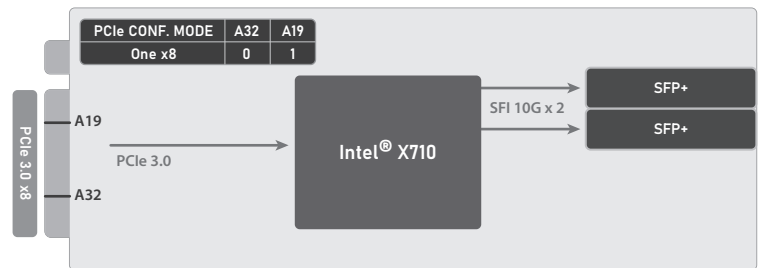


Torx Screws x 2

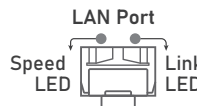


Torx Wrench x 1

## PuIM-10G2SF-X710 Block Diagram

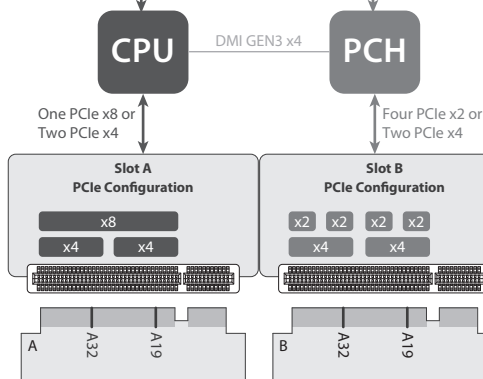
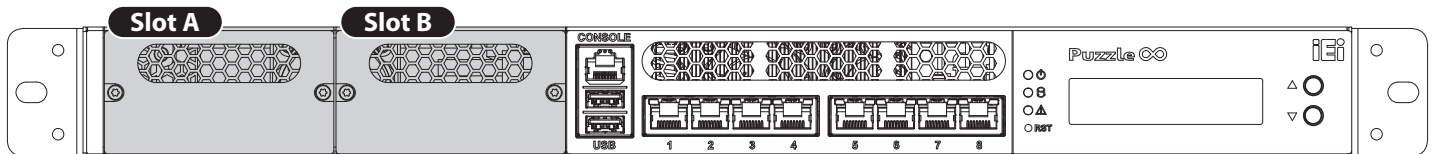


## LAN LED Status



LED	State	Description
Link (Right)	Yellow	Active
Speed (Left)	Green	10Gbps data rate
	Off	1 Gbps/100Mbps data rate

## Hardware Installation



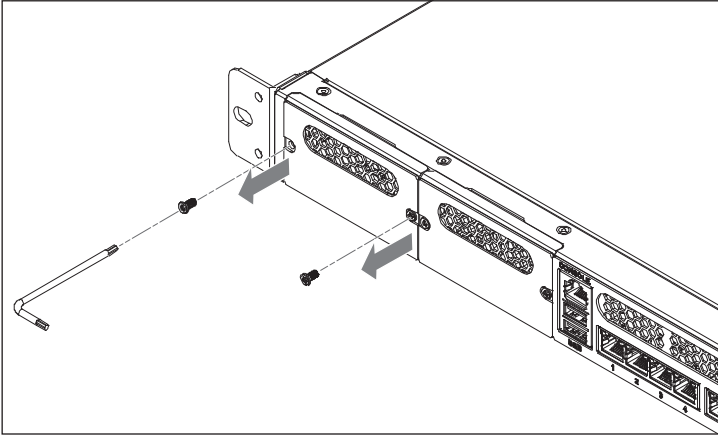
Install the PuIM-10G2SF-X710 networking module into the slot of the PUZZLE series. The Slot A supports 8 lanes from CPU (1 PCIe x8 or 2 PCIe x4); the Slot B supports 8 lanes from PCH (2 PCIe x4 or 4 PCIe x2). When the PuIM-10G2SF-X710 is installed into the Slot B, the LAN ports function normally, but with half of the bandwidth.

A19	A32	PCIe Config.	Slot
0	0	4x2	B
0	1	2x4	A & B
1	0	1x8	A

# Networking Module Installation

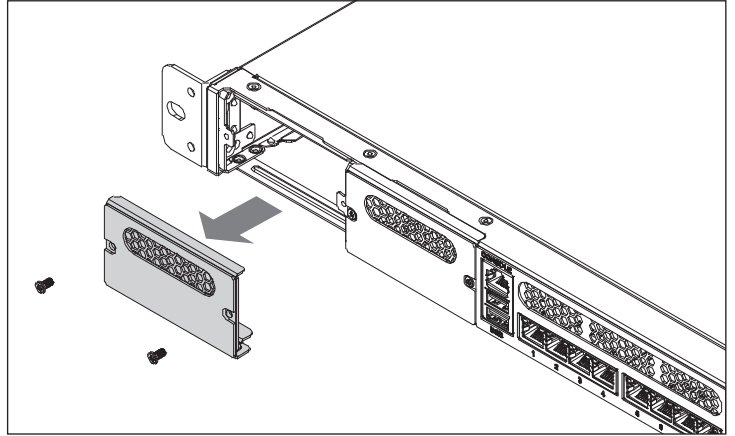
## Step 1

Use the Torx wrench to remove the two Torx screws.



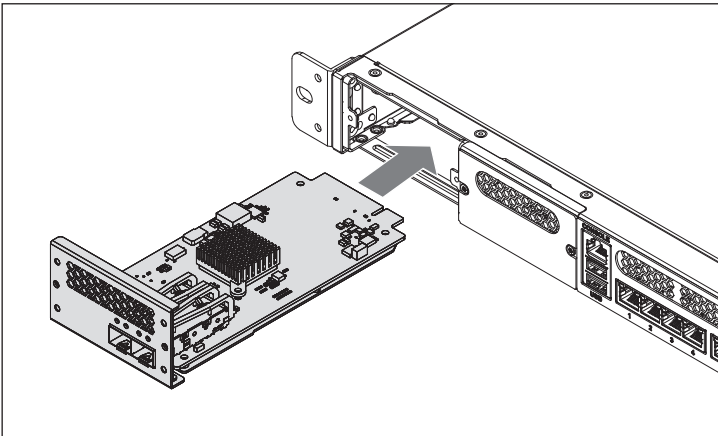
## Step 2

Remove the slot cover. Save the slot cover screws.



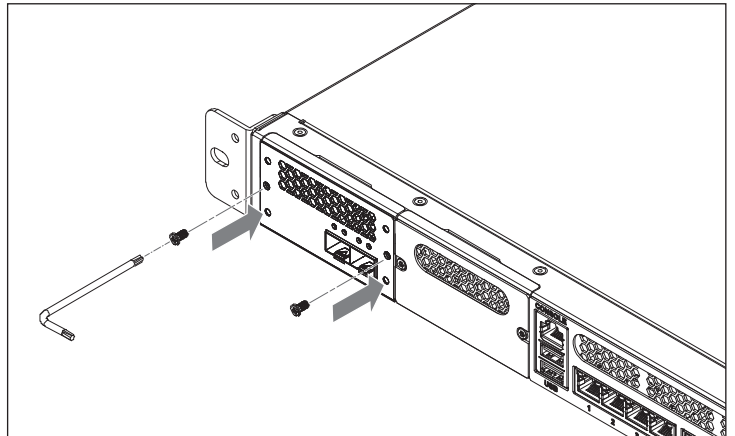
## Step 3

Slide an IEI networking module into the slot until the module is seated in the slot correctly and securely.



## Step 4

Install the previously-removed Torx screws to secure the module to the chassis.



威強電工業電腦 IEI Integration Corp.

No. 29, Zhongxing Rd., Xizhi Dist., New Taipei City 221, Taiwan

TEL : +886-2-86916798 / +886-2-26902098 FAX : +886-2-66160028

sales@ieiworld.com www.ieiworld.com

